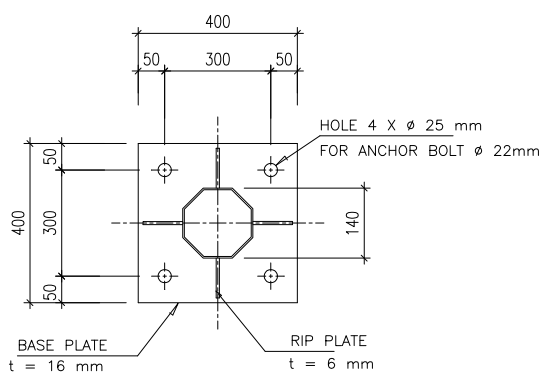
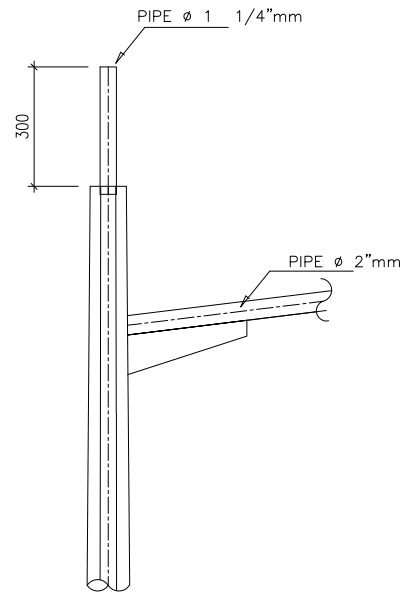


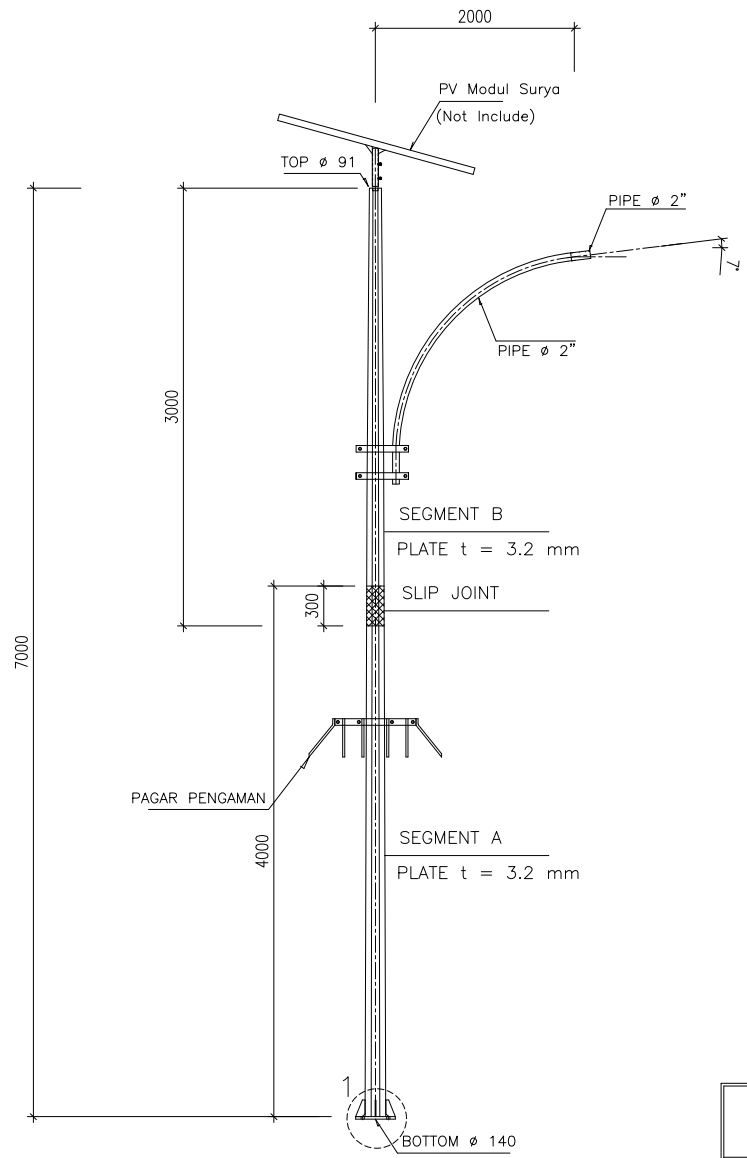
DETAIL - 1



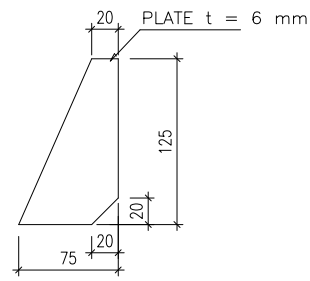
SECTION - A



DETAIL - 2



SIDE VIEW



DET. RIP PLATE

JOB TITLE : TECHNICAL SPECIFICATION	DRAWING TITLE : LIGHTING POLE SINGLE TEE TYPE H07SC (H=7000MM)	NAME	SIGN	DATE
		DESIGN BY :		
CLIENT :	DRAWING NO : PKW-H07ST/SC-D/001	APPROVED BY :		
		Rev. DWG. No	TITLE	DATE
		SHEET NO :		